



Meet the EL 1430, the mid-sized marvel in our EcoTrack range. Bridging the gap between compact convenience and robust performance, the EL 1430 is engineered for those who demand versatility without compromise. With its perfect balance of power and agility, this electric loader is suited for a wide range of applications, from construction sites to urban landscaping. Equipped with advanced electric technology, it delivers impressive lifting capacity, operational efficiency, and a significantly reduced carbon footprint, making it a smart choice for consumers or businesses aiming to boost productivity while supporting environmental sustainability.

The Versatile Performer



USD \$19,600.*
CAD \$25,900.*



Leading the Charge in Electric Sustainability!

- ARTICULATING BOOM**
- INSTANT TORQUE**
- ZERO EMISSIONS**
- INDOOR USE**
- LESS MAINTENANCE**
- ECO-FRIENDLY**
- + MASSIVE TOWING POWER!!!**

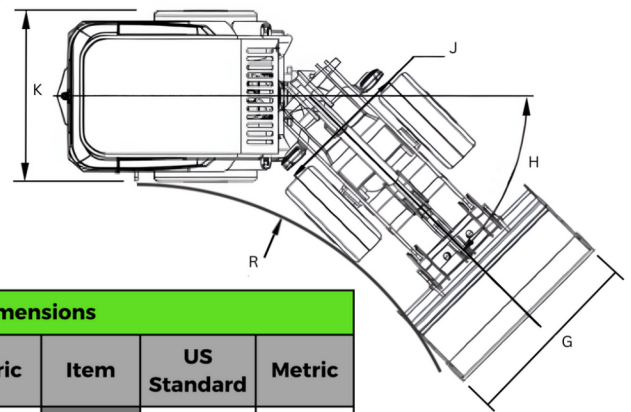
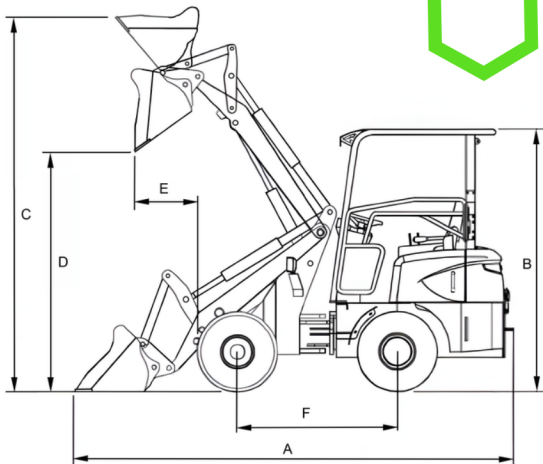


QUIET POWER, BIG RESULTS

ECOTRACK equipment		MODEL EL 1430	
		US Standard	Metric
BATTERY	TOTAL WEIGHT	4784 lbs	2050kg
	RATED LOAD	1323 lbs	650kg
	BUCKET CAPACITY	.33yd ³	0.25m ³
	FUEL TYPE	BATTERY	
	MAX SPEED ON LOW STATION	6 mi/hr	10 km/hr
	MAX SPEED ON HIGH STATION	12 mi/hr	20 km/hr
	WHEEL QUANTITY	F/R	2/2
DIMENSION	TOWING CAPACITY	15,000 lbs	7 t
	OVERALL SIZE	14'4"7 ft	3810*1260*2270 mm
	WHEEL BASE	4.5 ft	1380mm
	WHEEL TREAD	3 ft	890mm
	BUCKET WIDTH	3.5 ft	1160mm
	MAX. STEERING ANGLE	45°	
	MINI. GROUND CLEARANCE	.65 ft	200mm
HYDRAULIC SYSTEM	BATTERY MODEL	3-EVF-200	
	BATTERY TYPE	MAINTENANCE-FREE LEAD-ACID	
	BATTERY QUANTITY	12	
	BATTERY CAPACITY	19.3Hp	14.4KW
	RATED VOLTAGE	72V	
	WORKING TIME	6h	
	CHARGE TIME	8h	
STEERING SYSTEM	ELECTRICAL SYSTEM VOLTAGE	12V	
	POWER	6.7Hp	5KW
	DISPLACEMENT	.006 gal/r	23 ml/r
	ROTATING SPEED	Low 800 r/min High 2200 r/min	
WALKING SYSTEM	PRESSURE	2320psi	16 mpa
	STEERING SYSTEM	HYDRAULIC	
	PRESSURE	2030psi	14 mpa
BRAKE SYSTEM	POWER FORM	ALTERNATING CURRENT	
	VOLTAGE	72 V	
	MOTOR QUANTITY	2	
	POWER	5.36Hp	4*2KW
STANDARD	TIRE MODEL	26*12.00-12	
	WORKING BRAKE	DRUM OIL BRAKE	
	PARKING BRAKE	DRUM HANDBRAKE	
QUICK CHANGE, ELECTRICAL DISPLAY, ELECTRICAL JOYSTICK			



FEATURES & ATTACHEMENTS



Dimensions					
Item	US Standard	Metric	Item	US Standard	Metric
A	12' 7"	3819 mm	G	3' 8"	1115 mm
B	7' 5"	2250 mm	H	45 °	45 °
C	10' 11"	3330mm	J	3' 2"	950 mm
D	7' 2"	2170 mm	K	4' 2"	1250 mm
E	1' 4"	405 mm	R	7'	2130 mm
F	4' 6"	1376 mm	ECOTRACK		