



Meet the EL 1430, the mid-sized marvel in our EcoTrack range. Bridging the gap between compact convenience and robust performance, the EL 1430 is engineered for those who demand versatility without compromise. With its perfect balance of power and agility, this electric loader is suited for a wide range of applications, from construction sites to urban landscaping. Equipped with advanced electric technology, it delivers impressive lifting capacity, operational efficiency, and a significantly reduced carbon footprint, making it a smart choice for consumers or businesses aiming to boost productivity while supporting environmental sustainability.

**The Versatile Performer**



**USD \$19,600.\***  
**CAD \$25,900.\***



***Leading the  
Charge in Electric  
Sustainability!***

- ARTICULATING BOOM**
- INSTANT TORQUE**
- ZERO EMISSIONS**
- INDOOR USE**
- LESS MAINTENANCE**
- ECO-FRIENDLY**
- + MASSIVE TOWING POWER!!!**

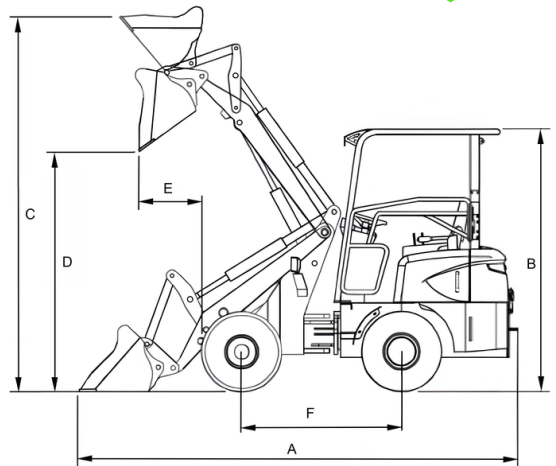
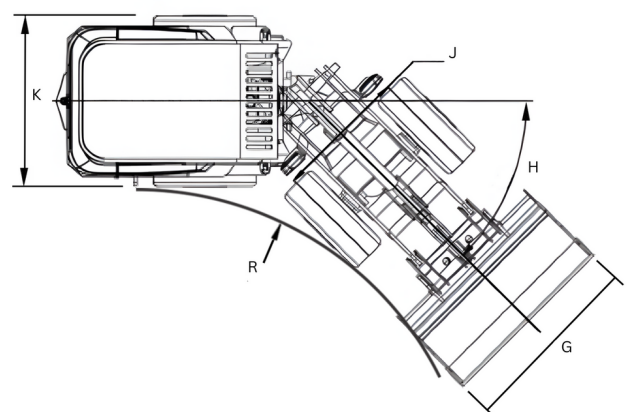


## QUIET POWER, BIG RESULTS



ECOTRACK equipment		MODEL EL 1320		
		US Standard	Metric	
GENERAL	TOTAL WEIGHT	4519 lbs	2050kg	
	RATED LOAD	1323 lbs	600kg	
	BUCKET CAPACITY	.33yd <sup>3</sup>	0.25m <sup>3</sup>	
	FUEL TYPE	BATTERY		
	MAX SPEED ON LOW STATION	6 mi/hr	10 km/hr	
	MAX SPEED ON HIGH STATION	12 mi/hr	20 km/hr	
	WHEEL QUANTITY	F/R	2/2	
	TOWING CAPACITY	15,000 lbs	7 t	
	DIMENSION	OVERALL SIZE	14'4"7 ft	4290*1260*2250 mm
		WHEEL BASE	4.3 ft	1380mm
WHEEL TREAD		3 ft	945mm	
BUCKET WIDTH		3.5 ft	1115mm	
MAX. STEERING ANGLE		45°		
MINI. GROUND CLEARANCE		.65 ft	200mm	
BATTERY		BATTERY MODEL	3-EVF-200	
	BATTERY TYPE	MAINTENANCE-FREE LEAD-ACID		
	BATTERY QUANTITY	12		
	BATTERY CAPACITY	19.3Hp	14.4KW	
	RATED VOLTAGE	72V		
	WORKING TIME	6h		
	CHARGE TIME	8h		
	ELECTRICAL SYSTEM VOLTAGE	12V		
HYDRAULIC SYSTEM	POWER	6.7Hp	5KW	
	DISPLACEMENT	.006 gal/r	23 ml/r	
	ROTATING SPEED	Low 800 r/min High 2200 r/min		
	PRESSURE	2320psi	16 mpa	
STEERING SYSTEM	STEERING SYSTEM	HYDRAULIC		
	PRESSURE	2030psi	16 mpa	
WALKING SYSTEM	POWER FORM	ALTERNATING CURRENT		
	VOLTAGE	72 V		
	MOTOR QUANTITY	2		
	POWER	5.36Hp	4*2KW	
BRAKE SYSTEM	TIRE MODEL	26*12.00-12		
	WORKING BRAKE	DRUM OIL BRAKE		
STANDARD	PARKING BRAKE	DRUM HANDBRAKE		
	QUICK CHANGE.ELECTRICAL DISPLAY.ELECTRICAL JOYSTICK			

## FEATURES & ATTACHEMENTS



Dimensions					
Item	US Standard	Metric	Item	US Standard	Metric
A	14' 1"	4290 mm	F	4' 5"	1330 mm
B	7' 5"	2250 mm	G	3' 8"	1115 mm
C	12' 10"	3918mm	H	45°	45°
C1	11' 4"	3440 mm	I	2' 9"	840 mm
D	10' 2"	3099 mm	K	4' 2"	1260 mm
D1	8' 7"	2618 mm	L	33°	33°
E	1' 12"	1254 mm	R	7"	2130 mm
E1	2' 6"	772 mm			